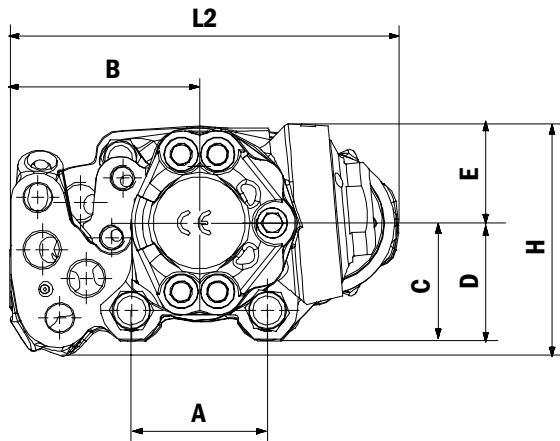
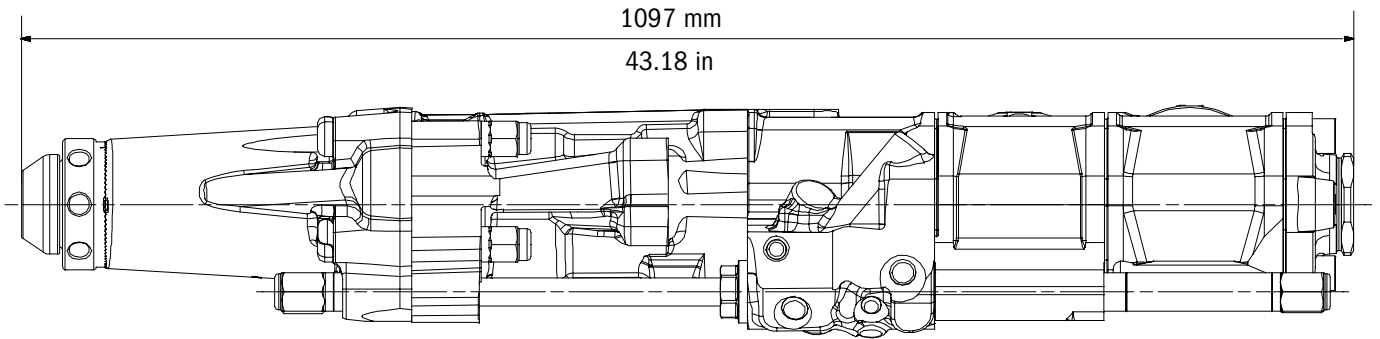


HC109 Montabert Drifter



	mm	in
L2	320	12.6
A	112	4.4
B	156	6.14
C	72	2.83
D	97	3.81
E	80	3.14
H	190	7.48

Specifications

Maximum strike flow	135 l/mn	36 GPM
Maximum strike pressure	135 bar	1959 PSI
Maximum strike frequency with E piston	47 Hz	2800 BPM
Energy per blow	400 J	295 ft. lb
Maximum rotation pressure	150 bar	2177 PSI
Rotation flow motor 024 (bit diameter ≤ 64 mm)	30 l/mn	8 GPM
Rotation speed motor 024	210 t/mn	210 RPM
Maximum rotation torque motor 024	340 Nm	250 ft. lb
Rotation flow motor 031 (bit diameter ≤ 76 mm)	45 l/mn	12 GPM
Rotation speed motor 031	230 t/mn	230 RPM
Maximum rotation torque motor 031	440 Nm	324 ft. lb
Rotation flow motor 043 (bit diameter ≤ 76 mm)	60 l/mn	16 GPM
Rotation speed motor 43	220 t/mn	220 RPM
Maximum rotation torque motor 43	610 Nm	449 ft. lb

Specifications

Rotation flow motor 055 (bit diameter \leq 89 mm)	60 l/mn	16 GPM
Rotation speed motor 055	175 t/mn	175 RPM
Maximum rotation torque motor 055	780 Nm	574 ft. lb
Drain flow approximately	8 l/mn	2 GPM
Water flushing pressure	10 to 12 bar	145 to 174 PSI
Water flushing flow	30 to 50 l/mn	8 to 13 GPM
Air flushing pressure	8 to 12 bar	116 to 174 PSI
Air flushing flow	10 m ³ /mn	358 CFM
Front guide lubrication pressure	3 bar	44 PSI
Front guide lubrication air flow	300 l/mn	79 GPM
Front guide lubrication oil	6 drops/mn	6 drops/mn
Weight	142 daN	313 lb
Rod diameter	38 - 45 mm	1 ¹ / ₂ - 1 ³ / ₄ in
Accumulated Nitrogen pressure HP	40 bar	580 PSI
Accumulated Nitrogen pressure LP	4 bar	58 PSI
Oil viscosity	ISO VG 32 / ISO VG 46 cSt	ISO VG 32 / ISO VG 46 cSt
Oil temperature	40 to 60 °C	104 to 140 °F
Air & water flushing temperature	5 to 40 °C	41 to 104 °F
Maximum required feed force	15000 N	3372 lbf

JOYGLOBAL



Product designs, specifications and/or data in this document are provided for informational purposes only and are not warranties of any kind. Product designs and/or specifications may be changed at any time without notice. The only warranties that apply to sales of products and services are Joy Global's standard written warranties, which will be furnished upon request.

Joy Global, Joy, P&H and related logos are trademarks of Joy Global Inc. or one of its affiliates. Montabert and related logos are trademarks of its company.
© 2015 Joy Global Inc. or one of its affiliates. All rights reserved.



joyglobal.com