

HEAVY DUTY U8 SERIES AIR WINCH

U8A-15 UTILITY WINCH
 This portable utility air winch is a rugged, economical tugger perfect for use in industrial, construction, mining, oil field & marine industries. Engineered using heat treated, high strength aluminum alloy, the U8A is a lightweight and portable unit that can be handled by one person. An oil bath, precision-machined, worm drive gearbox ensures positive load holding for excellent position control.

STANDARD FEATURES

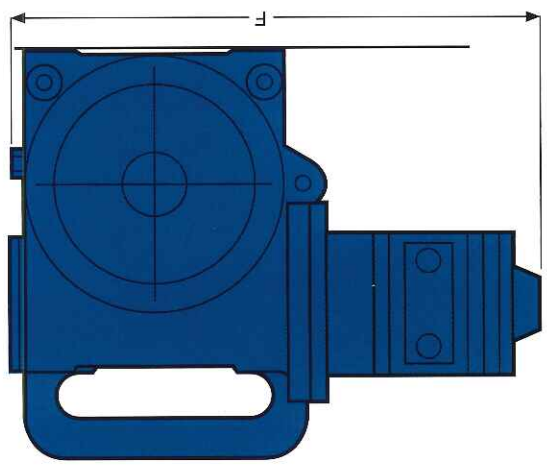
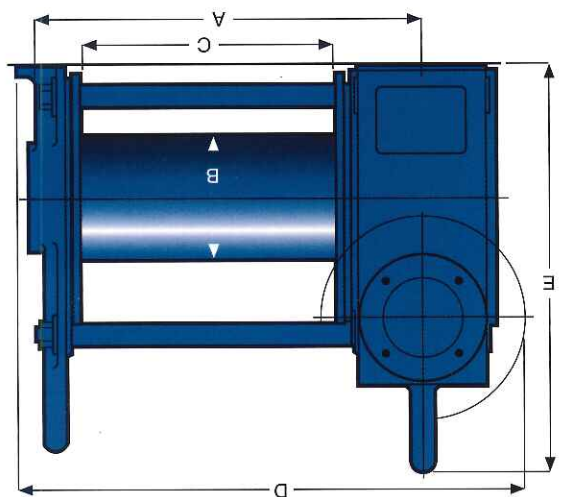
The U18 features a lightweight aluminum alloy frame and drum construction. It has a direct mounted fully reversing directional control with metering for single hand operation. The U18 features permanent bolt down and temporary lashing hooks for mounting versatility.

OPTIONS

Options include air preparation packages, extended drums and guards, and remote pendant controls.

Contact our factory or your nearest dealer for any customized application you may have.

Model Number	U8A 15
Linepull Running	1500 lb
Line Speed	40 fpm
Motor Power	5 Hp
Cable Size	1/4 in
Drum Capacity	506 ft
Air Consumption	125 cfm
Weight	36 kg
DIMENSIONS	
A	12.25 in
B	4 in
C	8.625 in
D	16.125 in
E	13.063 in
F	378 mm



Important: Due to our policy of continuing development, all specifications are subject to change without notice. Users of these products are responsible for ensuring their suitability for the application in which they are being used.

Contact us at: sales@jeamar.com